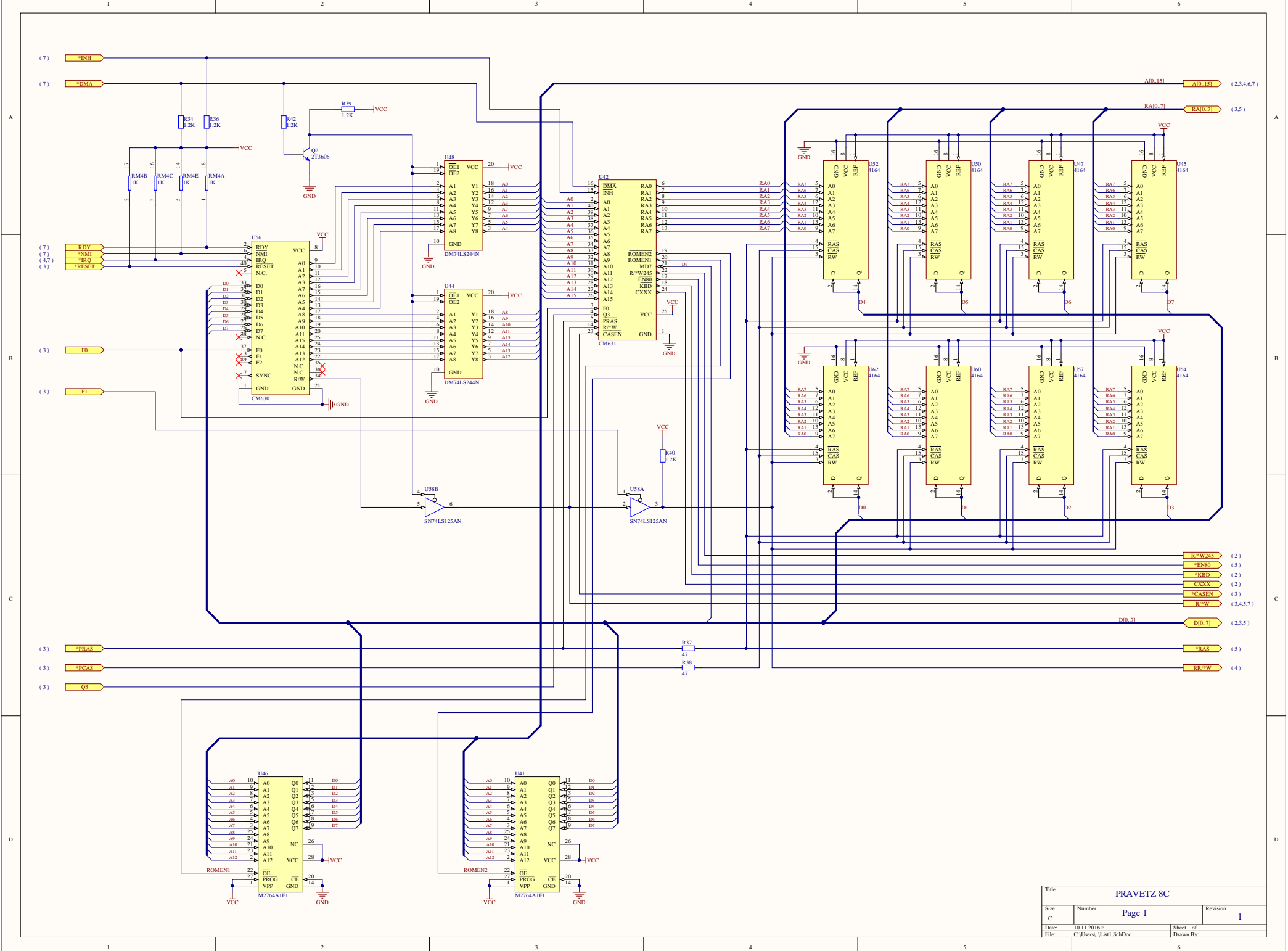
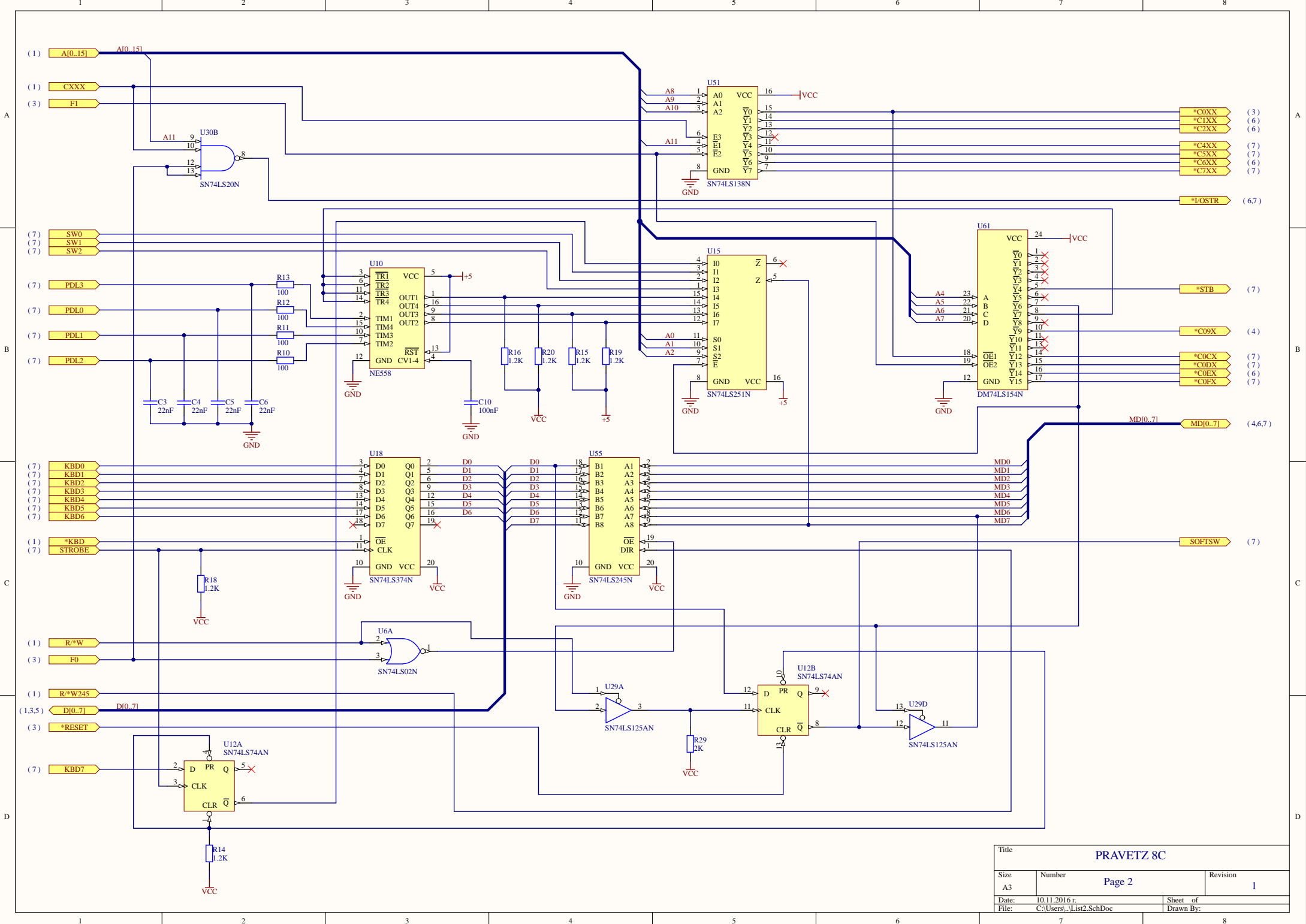
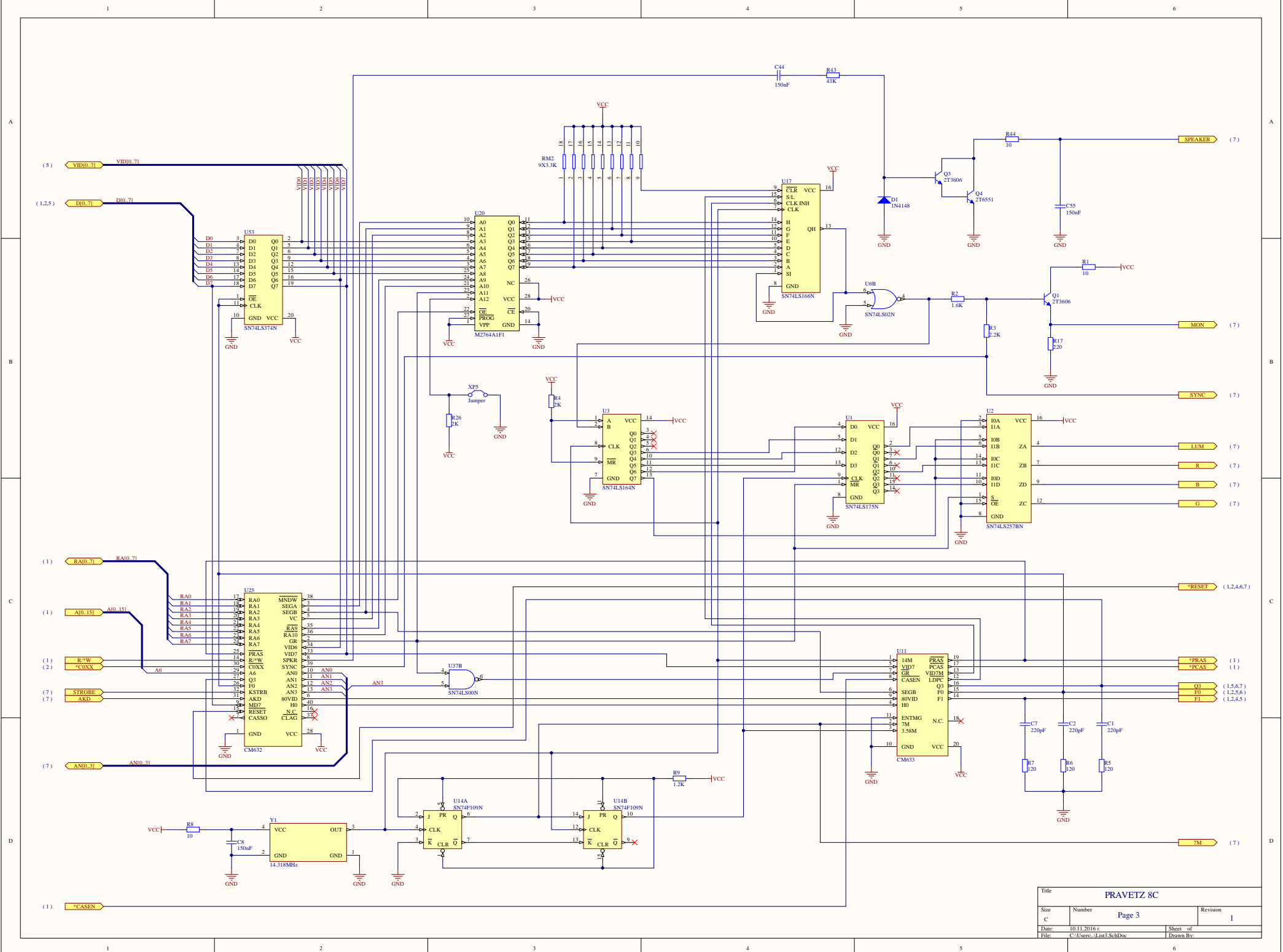


Title			PRAVETZ 8C		
Size	Number	Revision		1	
A3					
Date:	10.11.2016 r.	Sheet of			
File:	C:\Users\...Hierarchy.SchDoc	Drawn By:			

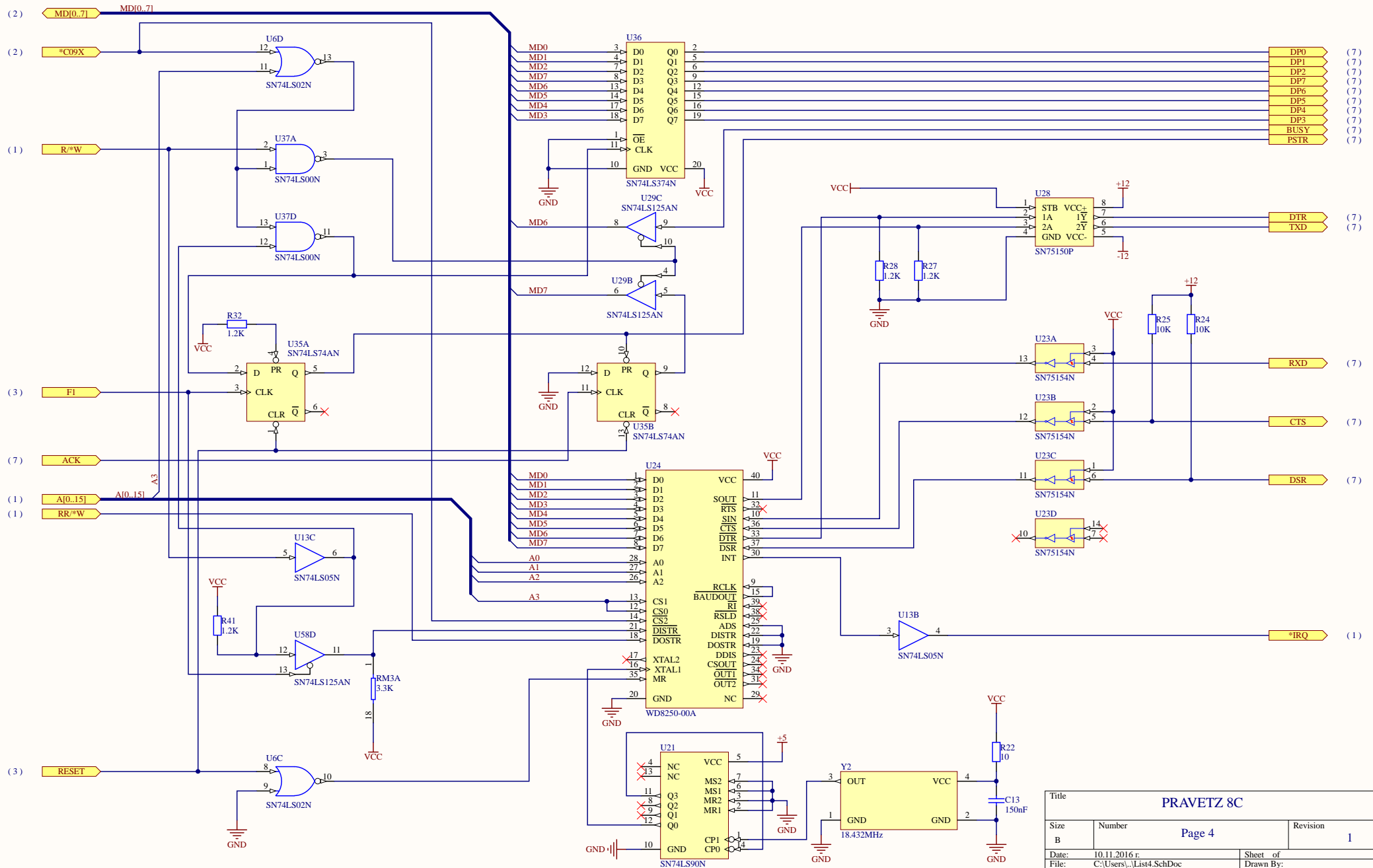


Title			
PRAVETZ 8C			
Size	Number	Page 1	Revision
C			1
Date:	10.11.2016 r.	Sheet of	
File:	C:\Users\Ivan1\SchDoc	Drawn By:	

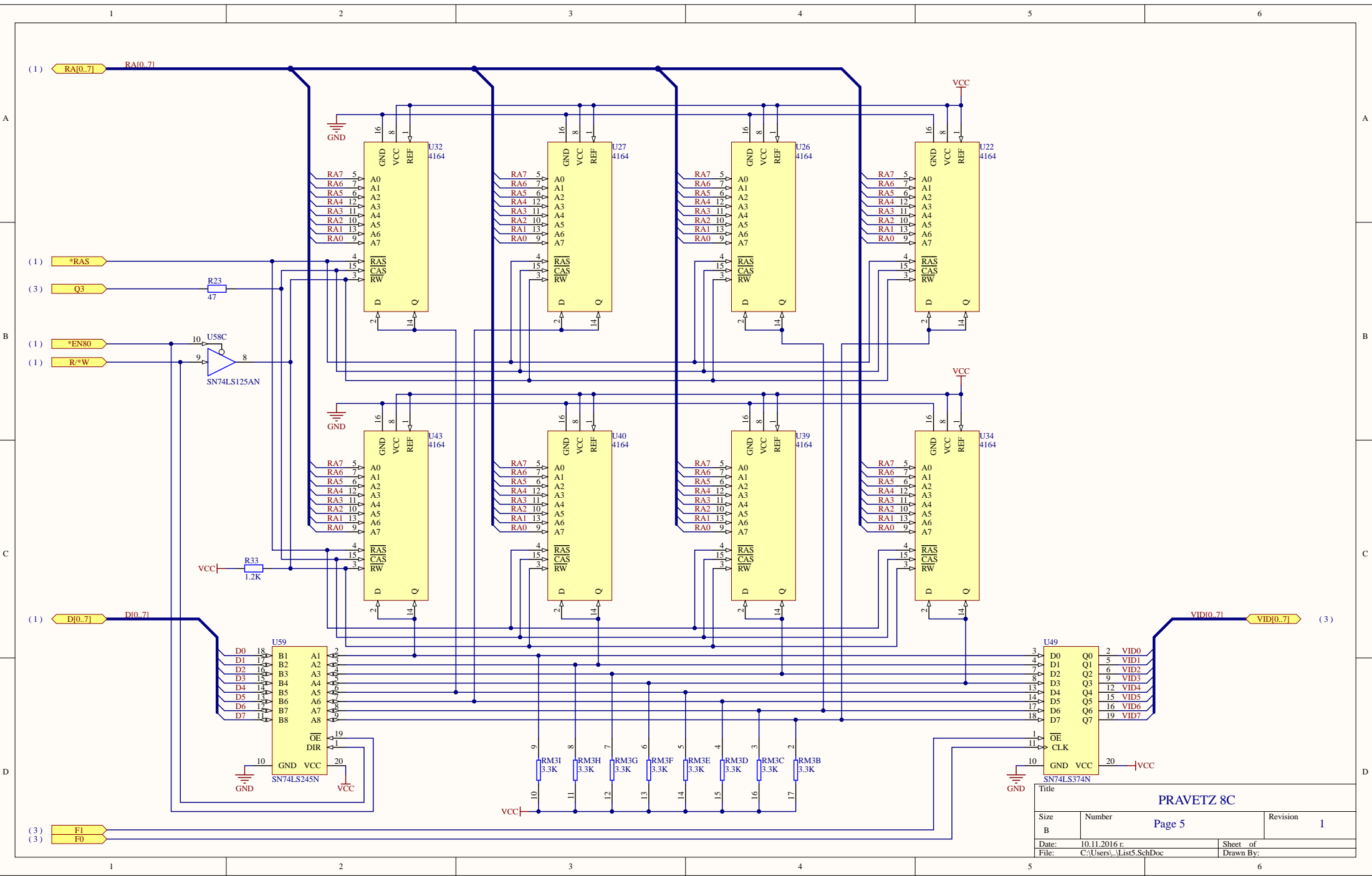




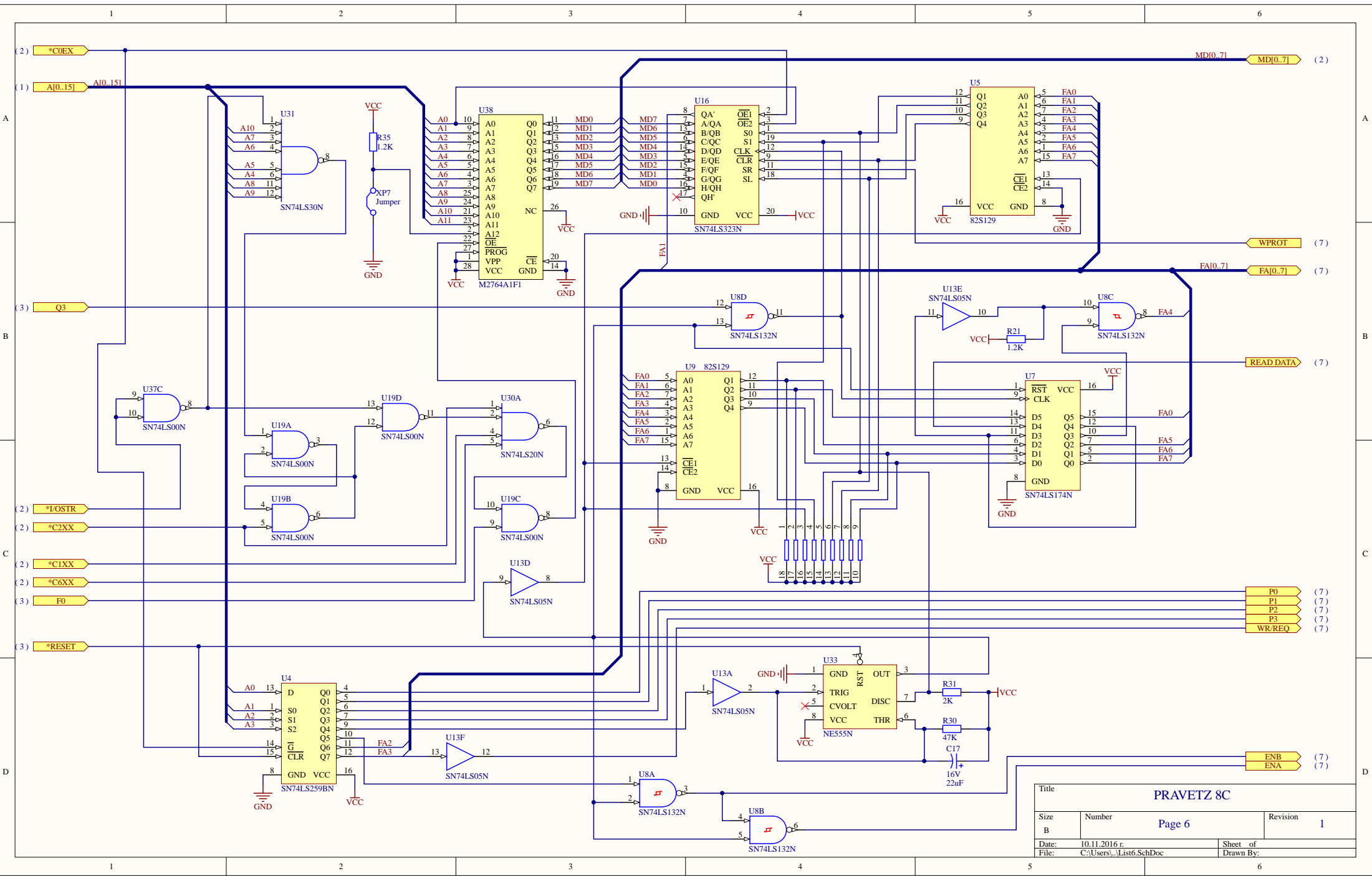
Title				PRAVETZ 8C			
Size	Number	Page 3		Revision		1	
Date:	10.11.2016 r.			Sheet of		1	
File:	C:\Users\Ist3\SchDoc			Drawn By:			



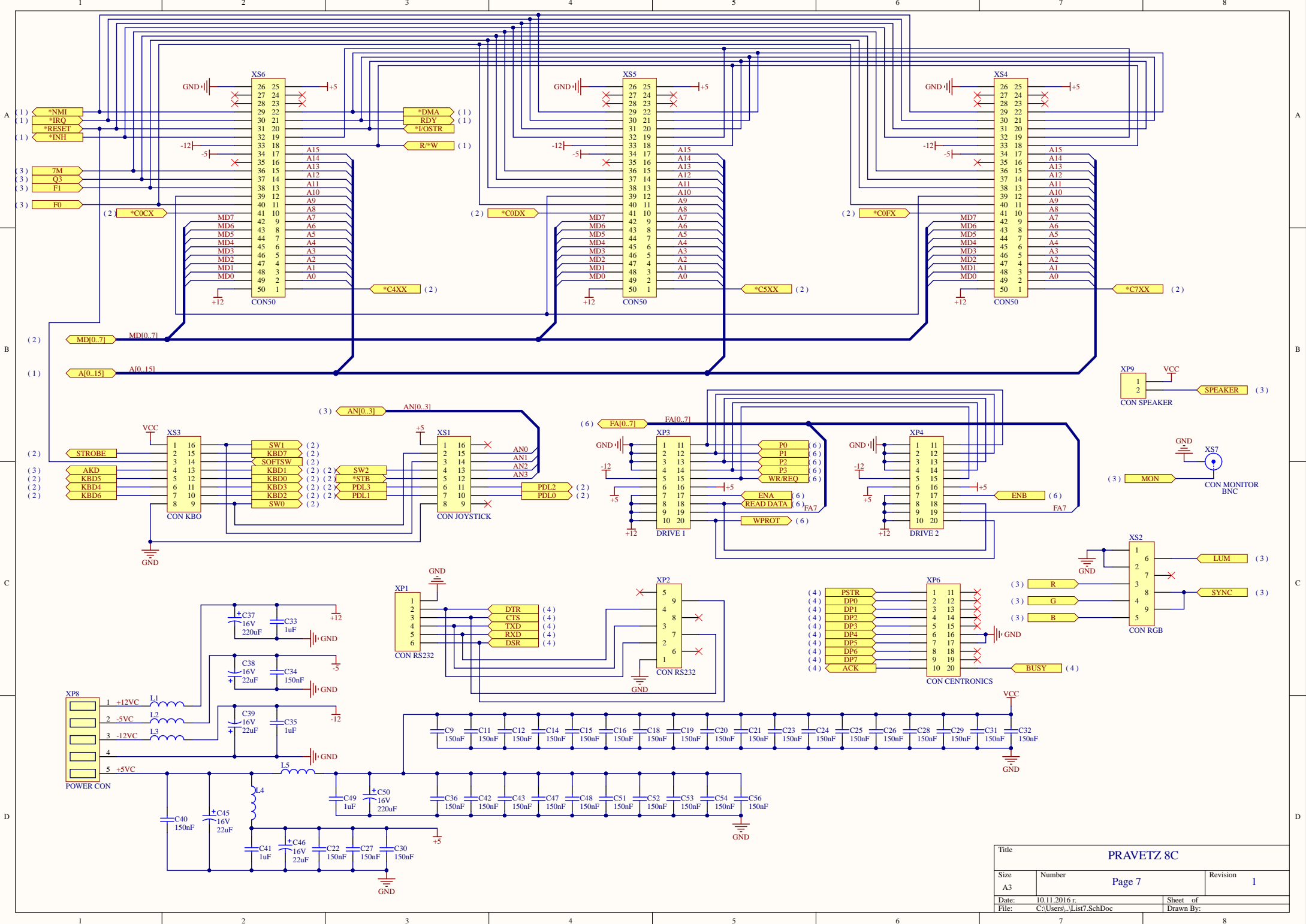
Title				PRAVETZ 8C			
Size	B	Number	Page 4		Revision	1	
Date:	10.11.2016 r.			Sheet of			
File:	C:\Users\...\List4.SchDoc			Drawn By:			



Title			PRVETZ 8C		
Size	Number	Page 5		Revision	1
Date:	10.11.2016 r.	Sheet of			
File:	C:\Users\...\List5.SchDoc	Drawn By:			



Title		PRVETZ 8C	
Size	B	Number	Page 6
Revision		1	
Date:	10.11.2016 r.	Sheet of	
File:	C:\Users\...List6.SchDoc	Drawn By:	

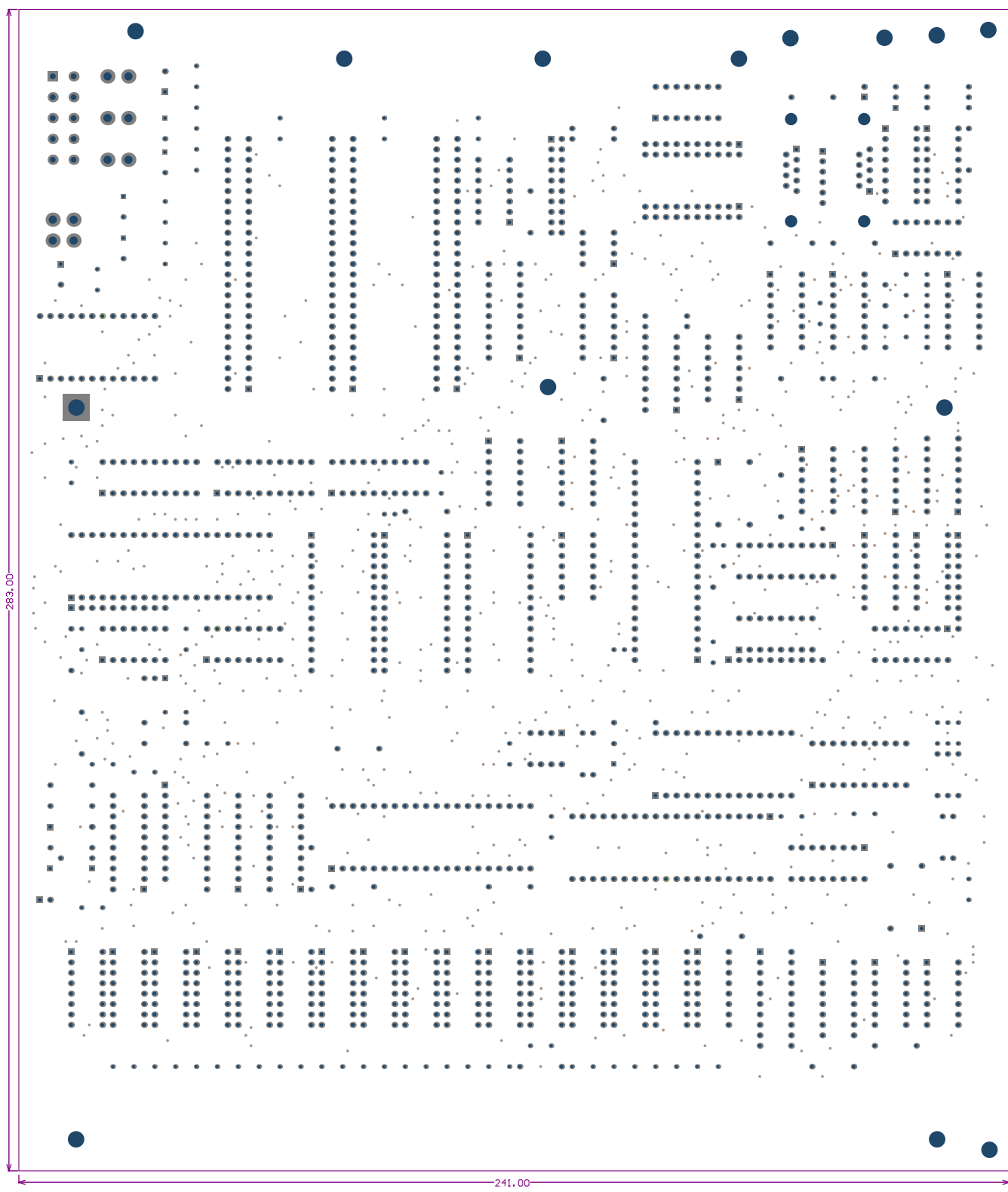


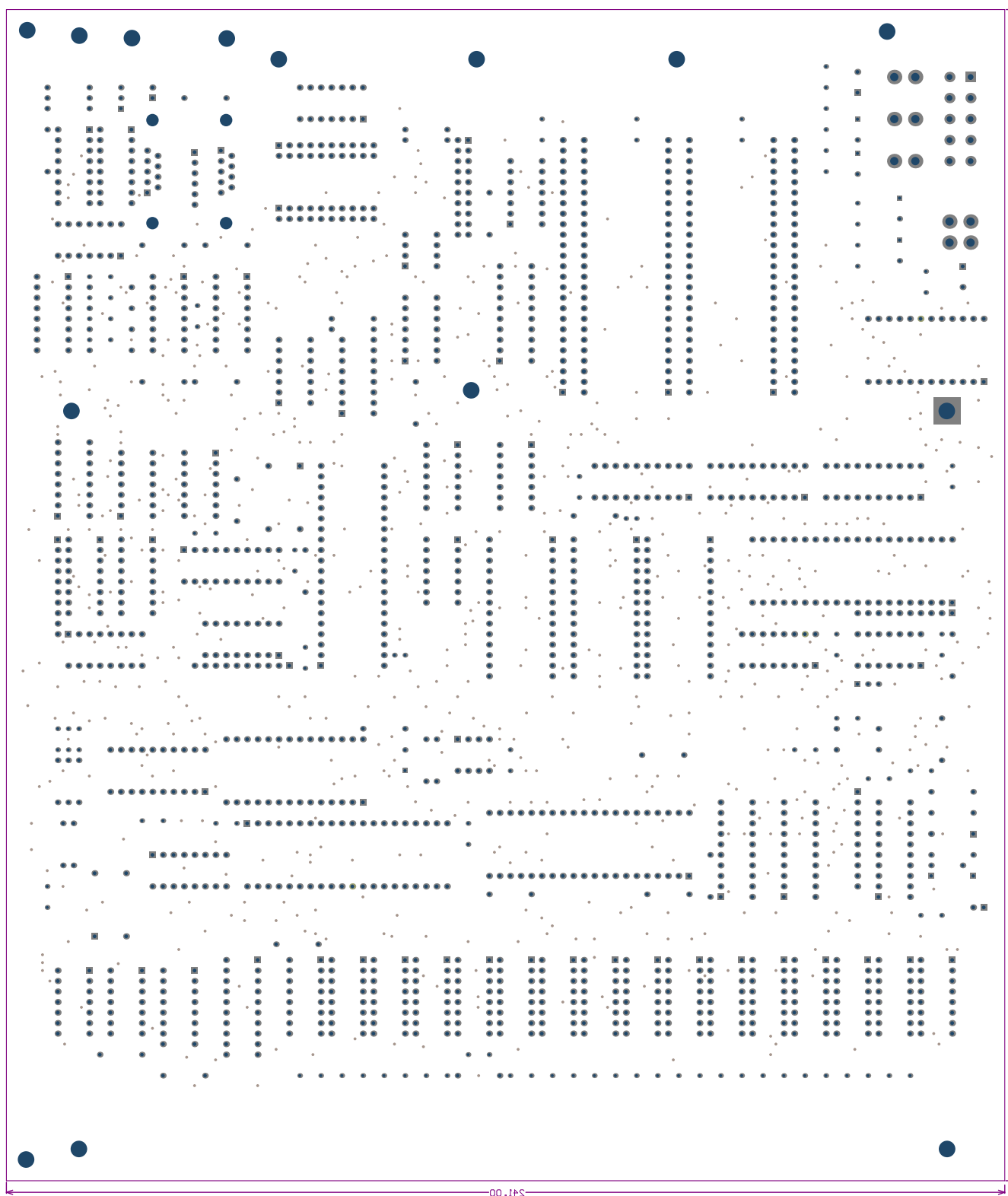












00.1PS

583.00

