

**Thank you for your interest in our schematics.** The schematic is available on the next page.

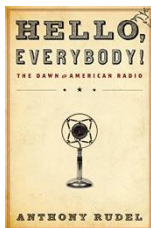
If you want to download additional parts of a schematic, or additional schematics, these must be requested individually.

To provide you with this information, more than 6000 members work regularly on the content of Radiomuseum.org.

As a member, you can access schematics, large images without watermarks and collector's prices. You will also surf at Radiomuseum.org without advertising. To do so, you may support Radiomuseum.org with a one-time membership fee of 20 € or 30 CHF or 25 US \$. We would be delighted if you joined as a member:

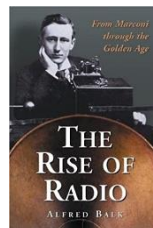
[https://www.radiomuseum.org/dsp\\_anmelden\\_start.cfm](https://www.radiomuseum.org/dsp_anmelden_start.cfm)

#### These books might be of interest of you:



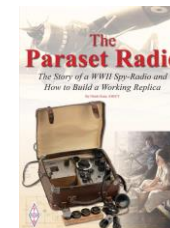
#### **Hello, Everybody! The Dawn of American Radio**

Long before the Internet, another young technology was transforming the way we connect with the world. At the dawn of the twentieth century, radio grew from an obscure hobby into a mass medium with the power to reach millions of people.



#### **The Rise of Radio, from Marconi through the Golden Age**

As the dominant form of electronic mass communication in the United States from the 1930s into the 1950s, radio helped to forge a modern continental nation. It fused myriad subcultures heavily rural, ethnic, and immigrant into a national identity, unifying the nation in the face of the Depression and war.

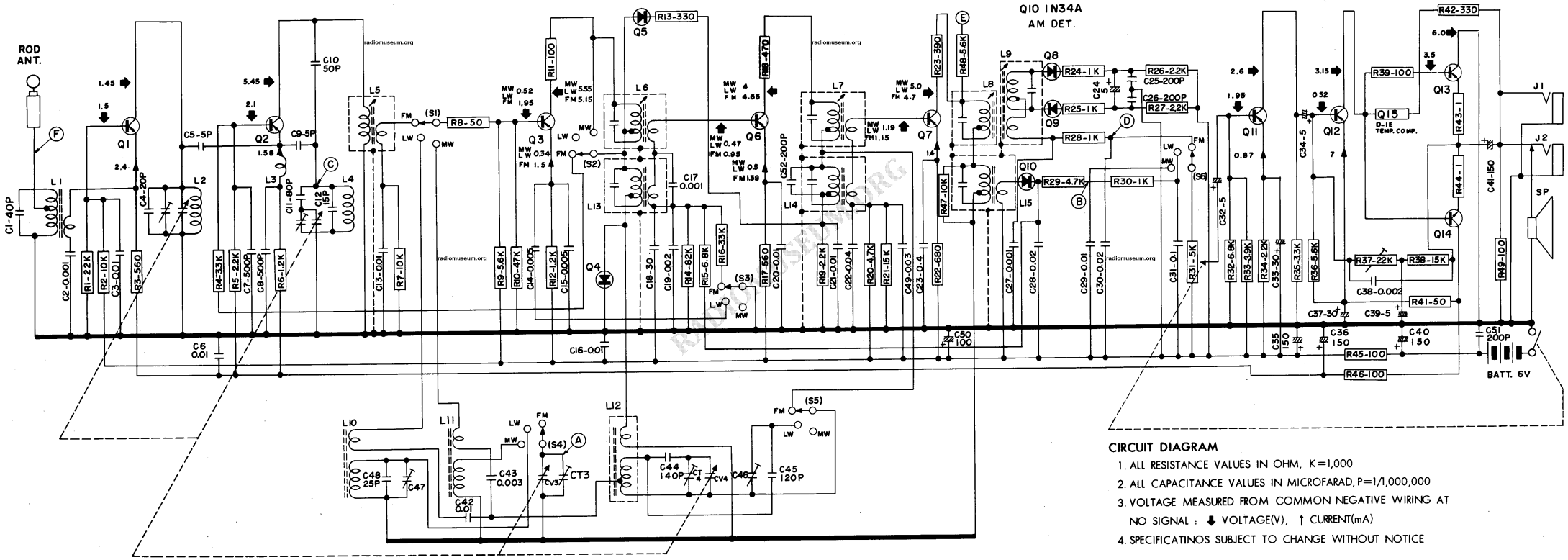


#### **The Paraset Radio: The Story of a WWII Spy-Radio and How to Build a Working Replica**

This book describes the gripping story behind the Paraset – a unique spy-radio, dropped behind enemy lines in the dark days of WWII. This radio being both light weight and state of the art for the time was concealed in a suitcase, making ideal for use by the spies of SOE.

Click [here](#) for further information.

- Q1 2SA235 FM RF
- Q2 2SA235 FM CONV.
- Q3 2SA234 FM IF-1ST
- Q4 IN34A OSC. COMP.
- Q5 IN34A AGC COMP.
- Q6 2SA234 FM IF-2ND AM IF-1ST
- Q7 2SA234 FM IF-3RD AM IF-2ND
- Q8, Q9 IN34A X 2 FM DET.
- Q10 IN34A AM DET.
- Q11 2SB75 AF-1ST
- Q12 2SB77 AF-2ND
- Q13 2SB77 PA
- Q14 2SD77 PA



- CIRCUIT DIAGRAM**
1. ALL RESISTANCE VALUES IN OHM, K=1,000
  2. ALL CAPACITANCE VALUES IN MICROFARAD, P=1/1,000,000
  3. VOLTAGE MEASURED FROM COMMON NEGATIVE WIRING AT NO SIGNAL : ↓ VOLTAGE(V), ↑ CURRENT(mA)
  4. SPECIFICATIOS SUBJECT TO CHANGE WITHOUT NOTICE